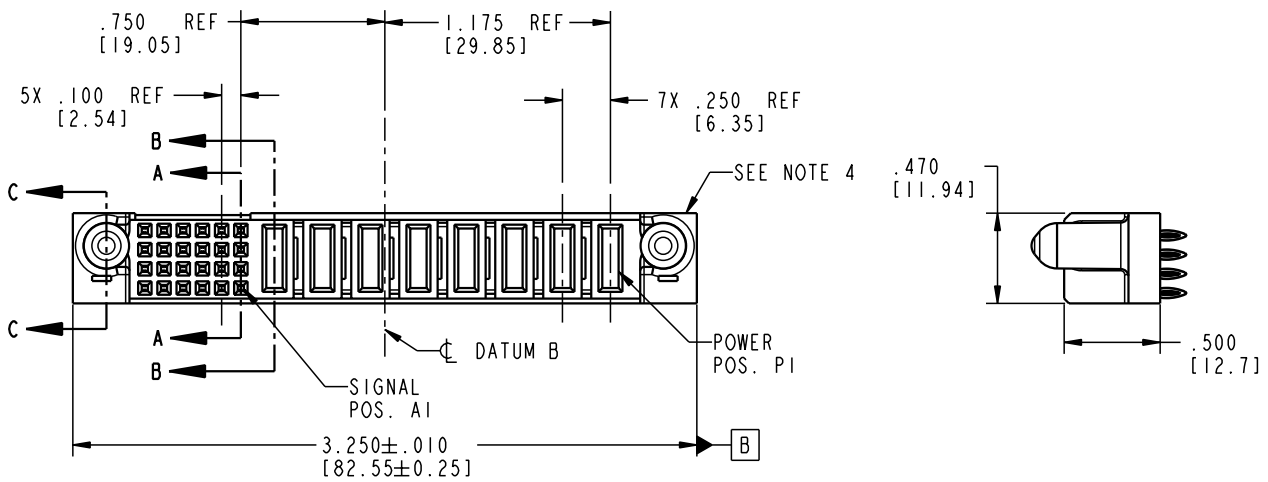


Tous droits strictement réservés. Reproduction ou communication o des liers interdite sous quelque forme que ce soit sans autorisation écrite du propriétaire. Propriete de c FCI. Droits de reproduction FCI.

All rights strictly reserved. Reproduction or issue to third parties in any form whenever is not permitted without written authority from the proprietor. Property of FCI. Copyright FCI.



PRODUCT NO.	ROWS	SIGNAL				POWER												
		E2	6	5	4	3	2	1	P8	P7	P6	P5	P4	P3	P2	P1	E1	
51742-10802400CC	D C B A		F	F	F	F	F	F	F	F	F	F	F	F	F	F	F	



CODE	DIM "M" MATING LENGTH	CONTACT TYPE
F	N/A [N/A]	SIGNAL
PC	.042 [1.07]	POWER

mat'l code				SEE NOTE 2		tolerances unless otherwise specified		CUSTOMER		www.fciconnect.com	
ltr	ecn no.	dr	date	linear	.XX±.01/0.X±0.3		COPY		title		
A	V04-0524	TAB	05/18/04		.XXX±.005/0.XX±0.13		projection		8P + 24S		
					.XXX±.0020/0.XXX±0.051				VERTICAL PRESS-FIT RECEPT		
				angles	0° ± 2°		INCH/MM		product family		code
				dr	T. BRUNGARD	05/18/04	scale		PwrBlade		213
				engr	M. GRAY	05/18/04	1:1		size		sheet
				chr	M. GRAY	05/18/04			A 51742-10802400CC		1 of 4
				appd	M. GRAY	05/18/04					
sheet index	revision sheet	A	A	A	A						
		1	2	3	4						

Tous droits strictement reserves. Reproduction ou communication a des tiers interdite sous quelque forme que ce soit sans autorisation ecrite du proprietaire. Propriete de c FCI. Droits de reproduction FCI.

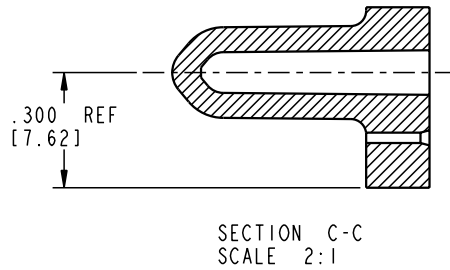
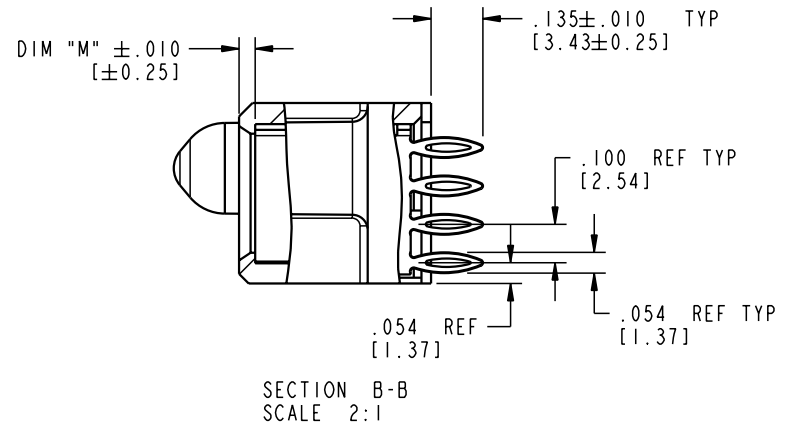
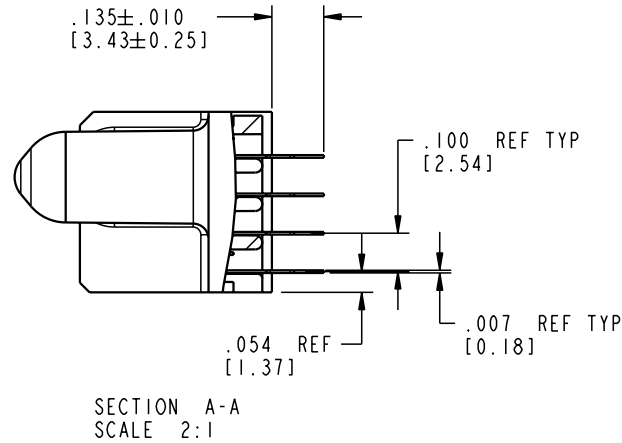
A
FCI


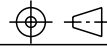
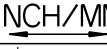
All rights strictly reserved. Reproduction or issue to third parties in any form whatever is not permitted without written authority from the proprietor. Property of FCI. Copyright FCI.

A

B

PRODUCT NUMBER
51742-10802400CC



mat'l code				SEE NOTE 2		tolerances unless otherwise specified		CUSTOMER		 www.fciconnect.com	
ltr	ecn no.	dr	date	linear	.XX ± .01/0.X ± 0.3		COPY		title		
A					.XXX ± .005/0.XX ± 0.13		projection		8P + 24S		
					.XXXX ± .0020/0.XXX ± 0.051				VERTICAL PRESS-FIT RECEIPT		
					angles	0° ± 2°				product family	
				dr	T. BRUNGARD	05/18/04	scale		PwrBlade		code
				enr	M. GRAY	05/18/04	1:1		size		213
				chr	M. GRAY	05/18/04			dwg no		sheet
				appd	M. GRAY	05/18/04			A 51742-10802400CC		2 of 4
sheet index		revision sheet									

A

B

1 | 2

3 |

4

1 | 2

Pro/E

3 |

cage code
22526

4

PDM: Rev:A

STATUS: **Released**

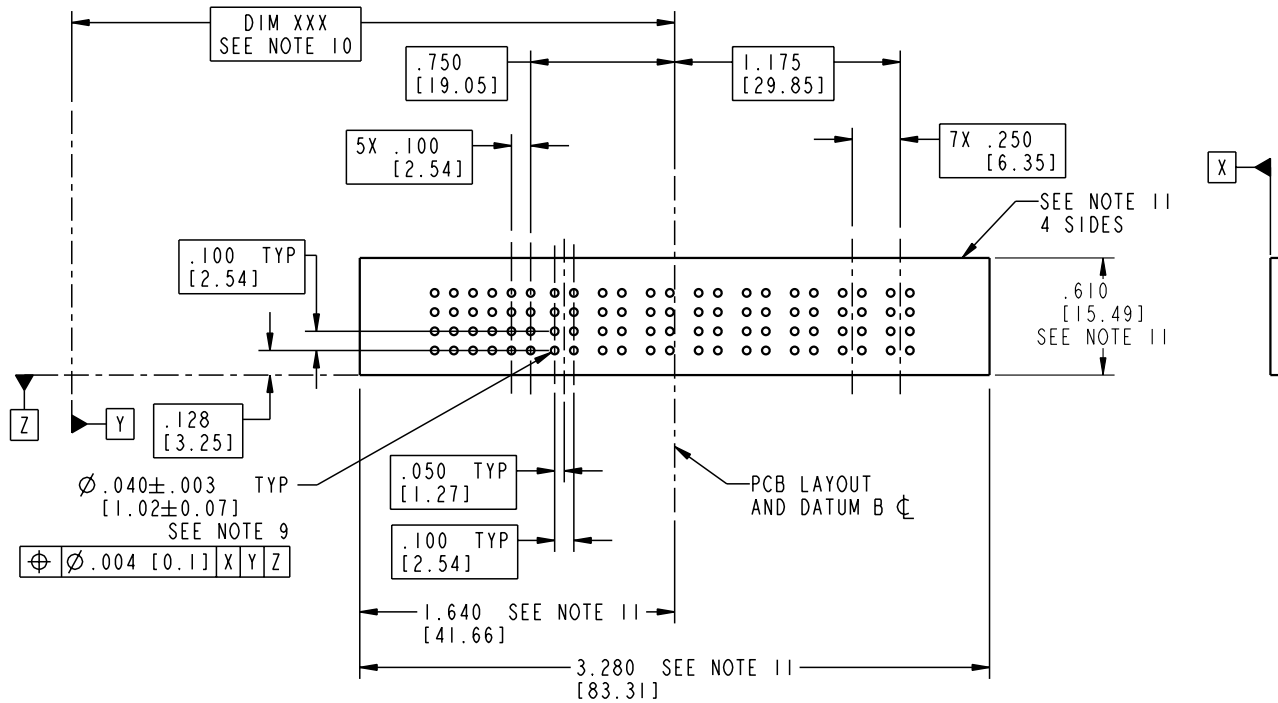
Printed: Aug 14, 2007

Tous droits strictement réservés. Reproduction ou communication o des tiers interdite sous quelque forme que ce soit sans autorisation écrite du propriétaire. Propriété de c FCI. Droits de reproduction FCI.

A
FCI

All rights strictly reserved. Reproduction or issue to third parties in any form, whenever is not permitted without written authority from the proprietor. Property of FCI. Copyright FCI.

PRODUCT NUMBER
51742-10802400CC



mat'l code SEE NOTE 2				tolerances unless otherwise specified		CUSTOMER		 www.fciconnect.com	
ltr	ecn no.	dr	date	linear	.XX±.01/0.X±0.3	COPY			
A				angles	.XXX±.005/0.XX±0.13 .XXXX±.0020/0.XXX±0.051	INCH/MM		title	
				dr	T. BRUNGARD 05/18/04	scale		8P + 24S	
				engr	M. GRAY 05/18/04	1:1		VERTICAL PRESS-FIT RECEPT	
				chr	M. GRAY 05/18/04	product family		PwrBlade	
				appd	M. GRAY 05/18/04	size		code	
sheet index		revision sheet				A		51742-10802400CC	
						size		213	
						sheet		3 of 4	

cage code **22526**

Pro/E

PDM: Rev:A

STATUS: **Released**

Printed: Aug 14, 2007

Tous droits strictement réservés. Reproduction ou communication o des tiers interdite sous quelque forme que ce soit sans autorisation écrite du propriétaire. Propriete de c FCI. Droits de reproduction FCI.

A
FCI

All rights strictly reserved. Reproduction or issue to third parties in any form, whatever is not permitted without written authority from the proprietor. Property of FCI. Copyright FCI.

A

B

1 | 2

3 |

4

PRODUCT NUMBER
51742-10802400CC

NOTES:

1. DIMENSIONS AND TOLERANCES ARE IN ACCORDANCE WITH ASME Y14.5M, 1994 UNLESS OTHERWISE SPECIFIED.

CONNECTOR NOTES:

- 2 HOUSING MATERIAL: UL 94 V-0 GLASS FILLED
HIGH-TEMP THERMOPLASTIC
POWER CONTACT MATERIAL: COPPER ALLOY
SIGNAL PIN MATERIAL: COPPER ALLOY
- 3. PLATING:
SIGNAL PINS: 30u"/0.76um Au OVER 50u"/1.27um Ni
POWER CONTACTS: 50u"/1.27um Ni UNDER ALL
WITH 30u"/0.76um Au ON CONTACT AREA
AND SnPb ON PCB INTERFACE

4 MANUFACTURER'S NAME, P/N, AND DATE CODE TO APPEAR ON THIS SURFACE.

5. PRODUCT SPECIFICATION GS-12-149.
APPLICATION SPECIFICATION BUS-20-067.

6. PACKAGED IN TRAYS.

PCB NOTES:


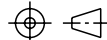
7. ALL HOLE DIAMETERS ARE FINISHED HOLE SIZE.

8 MOUNTING HOLES, WHERE APPLICABLE, ARE UNPLATED.

9 $\varnothing .0453 \pm .0010$ [1.151 \pm 0.025] DRILLED HOLES PLATED WITH .0003 [0.008] MIN SnPb OVER .001 [0.03] TO .003 [0.08] Cu PLATING TO ACHIEVE $\varnothing .040 \pm .003$ [1.02 \pm .07] HOLE.

10 "DIM XXX" TO BE DETERMINED BY THE CUSTOMER.

11 CONNECTOR KEEP-OUT ZONE.

mat'l code				SEE NOTE 2		tolerances unless otherwise specified		CUSTOMER		 www.fciconnect.com	
ltr	ecn no.	dr	date	linear	.XX±.01/0.X±0.3		COPY		title		
A					.XXX±.005/0.XX±0.13		projection		8P + 24S		
					.XXX±.0020/0.XX±0.051				VERTICAL PRESS-FIT RECEPT		
				angles	0° ± 2°		INCH/MM		product family		code
				dr	T. BRUNGARD	05/18/04	scale		PwrBlade		213
				enr	M. GRAY	05/18/04	1:1		size		sheet
				chr	M. GRAY	05/18/04			A 51742-10802400CC		4 of 4
				appd	M. GRAY	05/18/04					
sheet index		revision sheet							cage code		
									22526		4

A

B

1 | 2

Pro/E

3 |

cage code 22526

4

PDM: Rev:A

STATUS: **Released**

Printed: Aug 14, 2007